

Signal conditioner - MCR-C-U-U-DC - 2814469

Please be informed that the data shown in this PDF Document is generated from our Online Catalog. Please find the complete data in the user's documentation. Our General Terms of Use for Downloads are valid (<http://phoenixcontact.com/download>)



MCR 3-way isolating amplifier, for electrical isolation of analog signals, input signal: 0 ... 10 V/(+/-)10 V, output signal: 0 ... 10 V/(+/-)10 V


The illustration shows version MCR-C-I-I-00-DC

Why buy this product

- 3-way isolation
- Processing of standard signals
- Fixed setting of input and output signals



Key Commercial Data

Packing unit	5 pc
GTIN	 4 017918 156169
Weight per Piece (excluding packing)	74.96 g
Custom tariff number	85437090
Country of origin	Germany

Technical data

Note

Utilization restriction	EMC: class A product, see manufacturer's declaration in the download area
-------------------------	---

Dimensions

Width	12.5 mm
Height	99 mm
Depth	114.5 mm

Ambient conditions

Ambient temperature (operation)	-25 °C ... 60 °C
---------------------------------	------------------

Input data

Signal conditioner - MCR-C-U-U-DC - 2814469

Technical data

Input data

Description of the input	Voltage input
Configurable/programmable	no
Voltage input signal	0 V ... 10 V
	-10 V ... 10 V
Max. input voltage	30 V
Input resistance of voltage input	100 kΩ

Output data

Output name	Voltage output
Configurable/programmable	no
Voltage output signal	0 V ... 10 V
	-10 V ... 10 V
Max. output voltage	15 V
Load/output load voltage output	≥ 10 kΩ
Linear transmission range (in reference to the output range end value)	-110 % ... 110 % (Bipolar signals)

Power supply

Supply voltage range	20 V DC ... 30 V DC
Typical current consumption	< 15 mA (without load)

Connection data

Connection method	Pluggable screw connection
Conductor cross section solid min.	0.2 mm ²
Conductor cross section solid max.	2.5 mm ²
Conductor cross section AWG min.	24
Conductor cross section AWG max.	14
Conductor cross section flexible min.	0.2 mm ²
Conductor cross section flexible max.	2.5 mm ²
Stripping length	8 mm
Screw thread	M3

General

No. of channels	1
Maximum transmission error	≤ 0.2 % (of final value)
Transmission error, typical	< 0.1 % (of final value)
Maximum temperature coefficient	< 0.015 %/K
Limit frequency (3 dB)	30 Hz
Step response (10-90%)	11 ms
Protective circuit	Transient protection
Test voltage, input/output/supply	1.5 kV (50 Hz, 1 min.)
Color	green
Housing material	Polyamide PA non-reinforced
Mounting position	any

Signal conditioner - MCR-C-U-U-DC - 2814469

Technical data

General

Conformance	CE-compliant
-------------	--------------

Standards and Regulations

Connection in acc. with standard	CUL
Conformance	CE-compliant

Classifications

eCl@ss

eCl@ss 4.0	27210120
eCl@ss 4.1	27210120
eCl@ss 5.0	27210120
eCl@ss 5.1	27210120
eCl@ss 6.0	27210120
eCl@ss 7.0	27210120
eCl@ss 8.0	27210120

ETIM

ETIM 2.0	EC001485
ETIM 3.0	EC001485
ETIM 4.0	EC001485
ETIM 5.0	EC002653

UNSPSC

UNSPSC 6.01	30211506
UNSPSC 7.0901	39121008
UNSPSC 11	39121008
UNSPSC 12.01	39121008
UNSPSC 13.2	39121008

Approvals

Approvals

Approvals

UL Recognized / cUL Recognized / EAC / cULus Recognized


Ex Approvals


Approvals submitted

Signal conditioner - MCR-C-U-U-DC - 2814469


Approvals

Approval details

UL Recognized 

cUL Recognized 

EAC

cULus Recognized 

Accessories

Accessories

Bridge

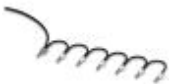
Wire bridge - DB 50- 90 GY - 2820929

Wire bridge, Color: gray



Wire bridge - DB 50- 90 BK - 2820916

Wire bridge, Color: black



Wire bridge - DB 50- 90 BU - 2821180

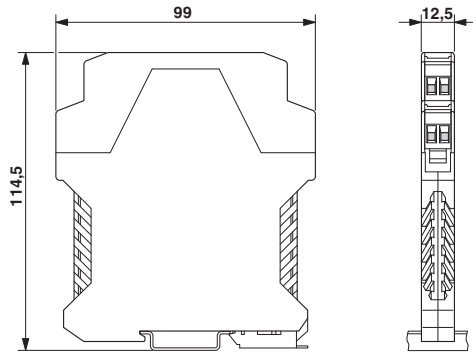
Wire bridge, Color: blue



Signal conditioner - MCR-C-U-U-DC - 2814469

Drawings

Dimensional drawing



Circuit diagram

